



# Monocrystalline Solar PV Modules

IEC61215/61730 Quality/ ISO Certified Company

Model No. **FDS010-12M**



## 10W

### Temperature Coefficients

Nominal Operating Cell Temperature	NOCT	°C	45 +/-2
Voltage Temperature Coefficient (Voc)	$\alpha$	%/°C	-0.29
Current Temperature Coefficient (Isc)	$\beta$	%/°C	0.05
Power Temperature Coefficient (Pmp)	$\gamma$	%/°C	-0.39

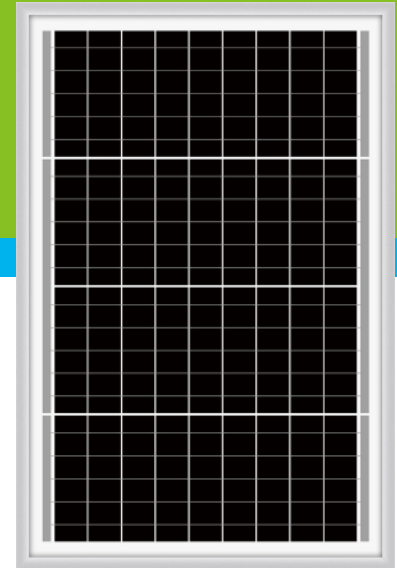
### Mechanical Data

Solar Cell	Monocrystalline, 76.5x19.59mm
Arrangement	36Cells (4*9)
Front Glass	3.2mm Tempered
Frame	Anodized Aluminium
Max. Static Snow Load, Front	5,400Pa
Max. Static Wind Load, Back	2,400Pa
Junction Box	Potted, 1,000VDC, IP67,2 Schoktty Bypass Diodes
Cables & Connectors	/

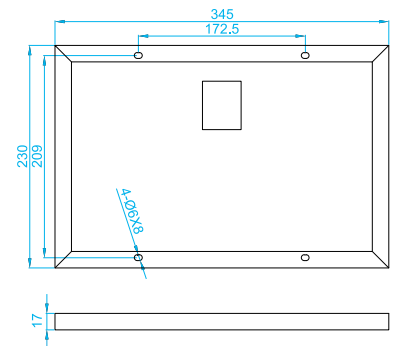
### Electrical Data

STC: Irradiance 1000 W/m<sup>2</sup>(module temperature 25°C AM1.5)

Module Type	FDS010-12M		
Nominal Peak Power	Pmax	Wp	10
Minimum Power Tolerance	$\Delta P_{max}$	%	-/+3
Max. Power Voltage	Vmp	V	18.6
Max. Power Current	Imp	A	0.54
Open-circuit Voltage	Voc	V	22.6
Short-circuit Current	Isc	A	0.58
Module Efficiency	$\eta_m$	%	12.6
Operating Temperature		°C	-40 to +85
Max Series Fuse Rating		A	6
Max. System voltage	DC	V	1,000
Weight		KGS	0.8
Dimension		MM	230*345*17



Dimensions unit : mm



Materials & Workmanship Warranty



90% Power Output Warranty



80% Power Output Warranty

Warranty : Solar Modules with 25 years warranty

#2, North Second Ring Road, Zhangjiagang City, China, 215600

Tel: 0086-512-58542102

Email: sales@fortunes-solar.com.cn

Website: www.fortunes-solar.com.cn

