

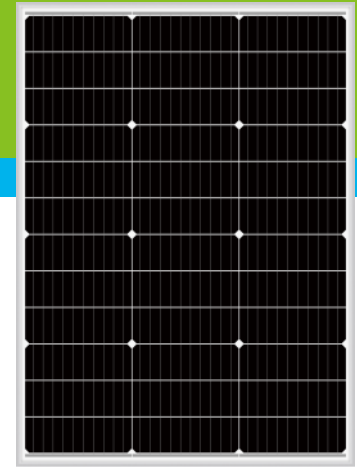


# Monocrystalline Solar PV Modules

IEC61215/61730 Quality/ ISO Certified Company

Model No. **FDS085-12M10**

**85W**



## Temperature Coefficients

|                                       |          |      |         |
|---------------------------------------|----------|------|---------|
| Nominal Operating Cell Temperature    | NOCT     | °C   | 45 +/-2 |
| Voltage Temperature Coefficient (Voc) | $\alpha$ | %/°C | -0.32   |
| Current Temperature Coefficient (Isc) | $\beta$  | %/°C | 0.055   |
| Power Temperature Coefficient (Pmp)   | $\gamma$ | %/°C | -0.39   |

## Mechanical Data

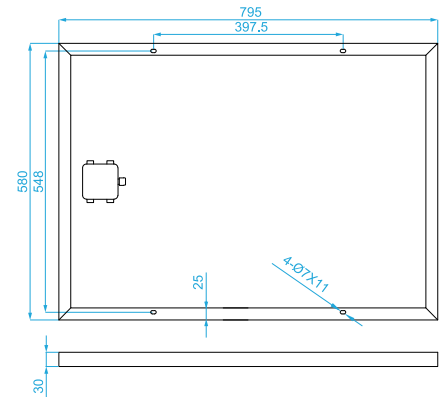
|                              |                             |
|------------------------------|-----------------------------|
| Solar Cell                   | Monocrystalline, 182*60.6mm |
| Arrangement                  | 36Cells (3*12)              |
| Front Glass                  | 3.2mm Tempered              |
| Frame                        | Anodized Aluminium          |
| Max. Static Snow Load, Front | 5400Pa                      |
| Max. Static Wind Load, Back  | 2400Pa                      |
| Junction Box                 | IP65                        |
| Cables & Connectors          | As Per Requirement          |

## Electrical Data

STC: Irradiance 1000 W/m<sup>2</sup>(module temperature 25°C AM1.5)

| Module Type             | FDS085-12M10     |     |            |
|-------------------------|------------------|-----|------------|
| Nominal Peak Power      | Pmax             | Wp  | 85         |
| Minimum Power Tolerance | $\Delta P_{max}$ | %   | -/+3       |
| Max. Power Voltage      | Vmp              | V   | 19.9       |
| Max. Power Current      | Imp              | A   | 4.27       |
| Open-circuit Voltage    | Voc              | V   | 23.7       |
| Short-circuit Current   | Isc              | A   | 4.64       |
| Module Efficiency       | $\eta_m$         | %   | 18.4       |
| Operating Temperature   |                  | °C  | -40 to +85 |
| Max Series Fuse Rating  |                  | A   | 5          |
| Max. System voltage     | DC               | V   | 1,000      |
| Weight                  |                  | KGS | 4.9        |
| Dimension               |                  | MM  | 795*580*30 |

Dimensions unit : mm



Materials & Workmanship Warranty



90% Power Output Warranty



80% Power Output Warranty

Warranty : Solar Modules with 25 years warranty

#348, North Second Ring Road, Zhangjiagang City, China, 215600

Tel : 0086-512-58542102 Fax : 0086-512-58542707

Email : sales@fortunes-solar.com.cn

Website : www.fortunes-solar.com

