

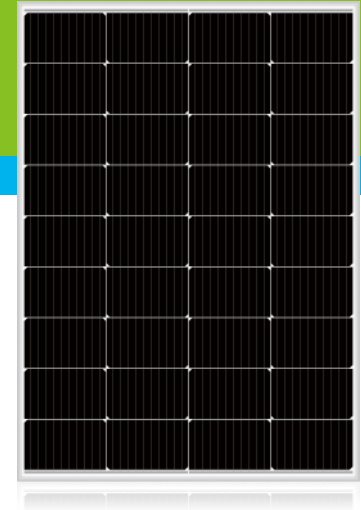


Monocrystalline Solar PV Modules

IEC61215/61730 Quality/ ISO Certified Company

Model No. **FDS160-12M10**

160W



Temperature Coefficients

Nominal Operating Cell Temperature	NOCT	°C	45 +/-2
Voltage Temperature Coefficient (Voc)	α	%/°C	-0.32
Current Temperature Coefficient (Isc)	β	%/°C	0.055
Power Temperature Coefficient (Pmpp)	γ	%/°C	-0.39

Mechanical Data

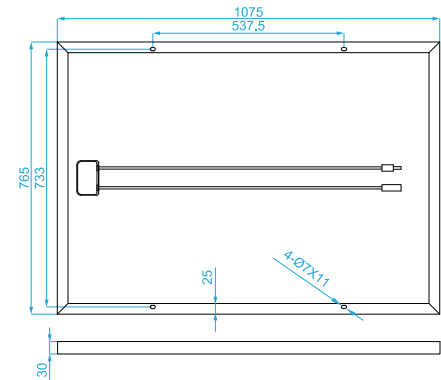
Solar Cell	Monocrystalline, 182*112mm
Arrangement	36Cells (4*9)
Front Glass	3.2mm Tempered
Frame	Anodized Aluminium
Max. Static Snow Load, Front	5400Pa
Max. Static Wind Load, Back	2400Pa
Junction Box	IP67
Cables & Connectors	As Per Requirement

Electrical Data

STC: Irradiance 1000 W/m²(module temperature 25°C AM1.5)

Module Type		FDS160-12M10	
Nominal Peak Power	P _{max}	Wp	160
Minimum Power Tolerance	ΔP_{max}	%	-/+3
Max. Power Voltage	V _{mp}	V	20.2
Max. Power Current	I _{mp}	A	7.92
Open-circuit Voltage	V _{oc}	V	24.0
Short-circuit Current	I _{sc}	A	8.61
Module Efficiency	η_m	%	19.5
Operating Temperature		°C	-40 to +85
Max Series Fuse Rating		A	15
Max. System voltage	DC	V	1,500
Weight		KGS	8.6
Dimension		MM	1075*765*30

Dimensions unit : mm



Materials & Workmanship Warranty



90% Power Output Warranty



80% Power Output Warranty

Warranty : Solar Modules with 25 years warranty

#348, North Second Ring Road, Zhangjiagang City, China, 215600

Tel : 0086-512-58542102 Fax : 0086-512-58542707

Email : sales@fortunes-solar.com.cn

Website : www.fortunes-solar.com

